

# **SANTS INTERNATIONAL TRADING CO.,LTD**

603E,6/F, HANG PONT COMMERCIAL BUILDING, 31 TONKIN ST., CHEUNG SHA WAN, KOWLOON, HONG KONG

TEL / FAX : +86-13416407902 - EMAIL : INFO@SANTSGROUP.COM

[www.santsgroup.com](http://www.santsgroup.com)

EVA P.N. SIJ005X

## **PID EVA**

### **SVECK EVA FILM**

### **PRODUCT INSTRUCTION**

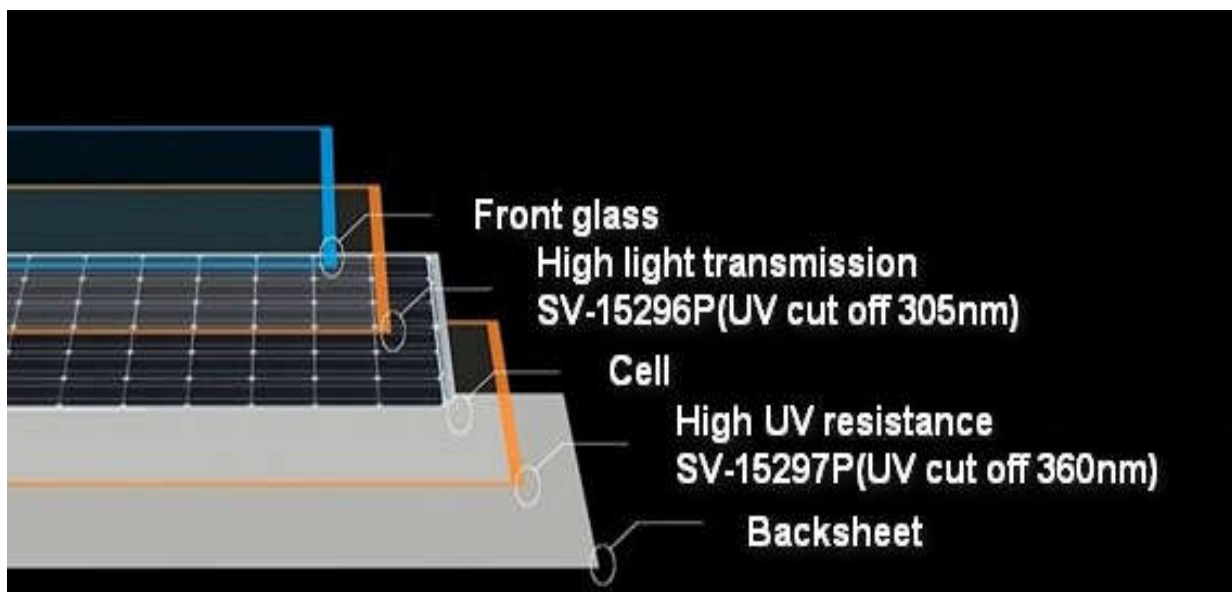
## **Content**

- 产品特性 Product Features
- 产品目录 Catalogue
- 技术参数 Technical Data Sheet
- 层压工艺 Lamination Recipe
- 品质性能 Property of Quality
- 光透性能 Transmittance Properties
- 包装 Packaging
- 储存 Storage
- 应用 Application

## ● 产品特性 Product Features

- 能够减少组件 PID 风险  
Reduce the PID risk of solar module
- 老化后与 TPE,PYE,KPE,TPT 等背板良好的粘接性  
Match with TPE, PYE, KPE, TPT and so on, excellent peel strength after aging.
- 优越的耐候性(包括高温, 高湿, 紫外等)  
Excellent durability (Including high temperature and high humidity resistance and UV)
- 较低的收缩率, 确保层压时组件稳定  
Low shrinkage, guarantee the quality after lamination.
- 快速固化, 提高组件层压生产效率  
Fast cure, increase the producing rate when laminated.
- 高透光, 确保组件最大输出功率  
High transparence, insure the maximum power of module.

## Crystalline silicon solar module encapsulate using method



# SANTS INTERNATIONAL TRADING CO.,LTD

603E,6/F, HANG PONT COMMERCIAL BUILDING, 31 TONKIN ST., CHEUNG SHA WAN, KOWLOON, HONG KONG

TEL / FAX : +86-13416407902 - EMAIL : INFO@SANTSGROUP.COM

[www.santsgroup.com](http://www.santsgroup.com)

## ● 产品目录 Catalogue

长度 Length	根据客户要求定制, 150 米 ---400 米之间 150 米是常规 150m ---400mm basis on customers demands, 150m is normal size
宽度 Width	根据客户要求定制 Customization
厚度 Thickness	常规: 0.50mm/0.45mm ( 真实厚度会增加 0.05mm) Standard: 0.50mm/0.45mm ( the real thickness will be added 0.05mm)

● 技术参数 Technical Data Sheet:

性能 Properties	项目 Item		单位 Unit	SIT-001	SIT-002
物理性能 Physical Properties	厚度公差 Thickness Tolerance		mm	+/-0.05	
	宽度公差 Width Tolerance		mm	+5/-3	
	密度 Density		g/cm <sup>3</sup>	0.96	
	拉伸强度 (固化后) Tensile strength (After lamination)		Mpa	≥16	≥16
	断裂伸长率 (固化后) Ultimate Elongation (After lamination)		%	550	550
	胶膜与玻璃的剥离强度 Peel Strength with Glass		N/cm	>60	
	胶膜与背板的剥离强度 Peel Strength with Back Sheet		N/cm	>40	
热性能 Thermal Properties	收缩率 Shrinkage		MD%/TD%	<4/<2	
交联度 Gel content			%	>75	>75
电性能 Electrical Properties	体积电阻率 Volume resistivity	-	Ω.cm	>1.0×10 <sup>15</sup>	>1.0×10 <sup>15</sup>
光学性能 Optical Properties	紫外截止波长 UV cut off	Sveck standard	nm	-----	360

	透光率 (固化后) Light transmission after lamination (280-380nm)		%	≥80	≤20
	透光率 (固化后) Light transmission after lamination (380nm~1100nm)		%	≥91	≥91
耐候性 Durability	紫外老化黄变指数 Uv aging Yellowness Index (60kWh/m <sup>2</sup> )		ΔYI	<2	
	湿热老化 (DH1000h) Heat/Humidity85°C/85 aging 1000h		ΔYI	<4	

## ● 层压工艺 Lamination Cycle

型号 Type	层压温度(°C) Lamination Temperature	抽真空时间 (min) Pump Time (min)	层压时间 (min) Pressing Time
SIT-001/ SIT-002	142-148	5-6	10-12

# SANTS INTERNATIONAL TRADING CO.,LTD

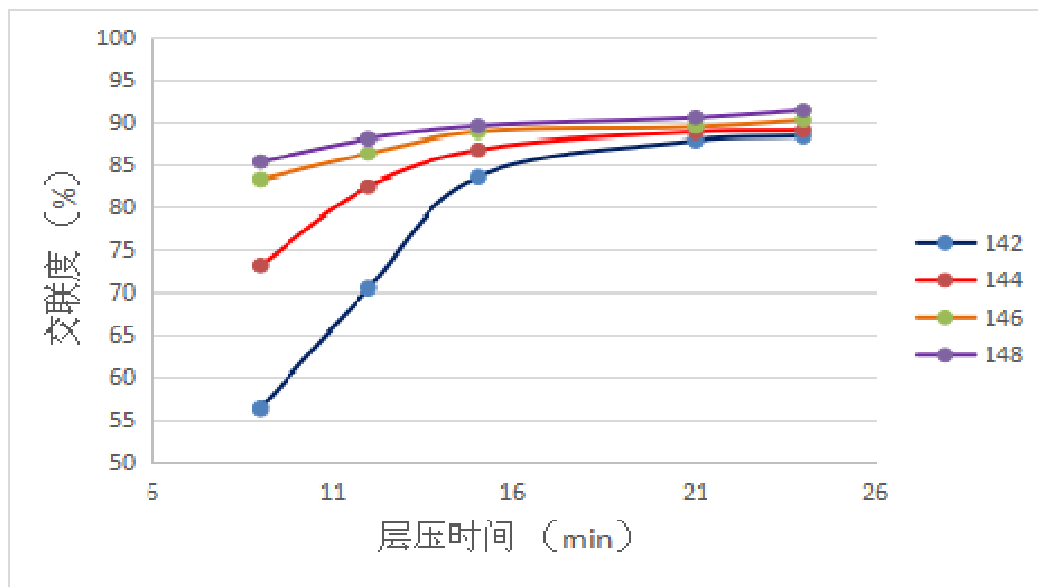
603E,6/F, HANG PONT COMMERCIAL BUILDING, 31 TONKIN ST., CHEUNG SHA WAN, KOWLOON, HONG KONG

TEL / FAX : +86-13416407902 · EMAIL : INFO@SANTSGROUP.COM

[www.santsgroup.com](http://www.santsgroup.com)

## ● 品质性能 Property of Quality

交联固化 Gel content after lamination



交联度 (%) Gel Content					
层压时间 Lamination Time(min)	9	12	15	21	24
层压温度 Lamination Temp (°C)					
142	56.3	70.5	83.6	87.9	88.4
144	73.2	82.5	86.8	88.9	89.1
146	83.3	86.4	88.9	89.5	90.3
148	85.4	88.1	89.6	90.6	91.5

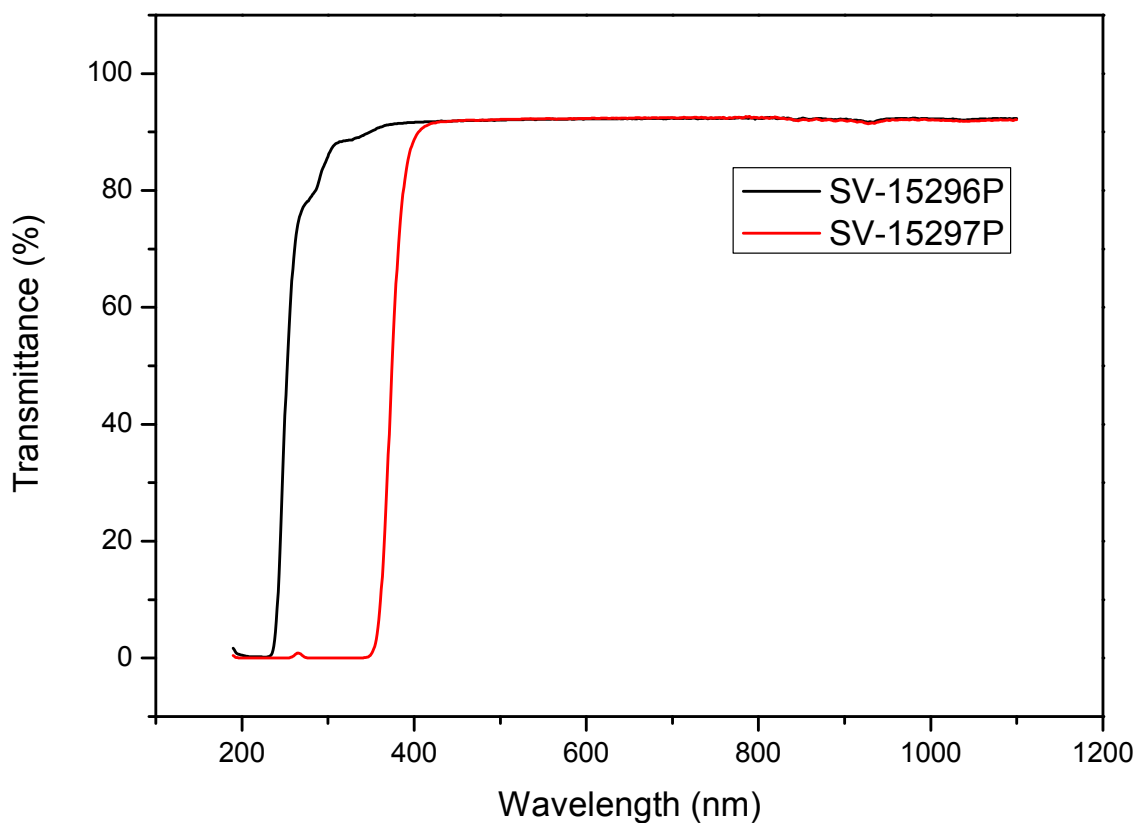
# SANTS INTERNATIONAL TRADING CO., LTD

603E,6/F, HANG PONT COMMERCIAL BUILDING, 31 TONKIN ST., CHEUNG SHA WAN, KOWLOON, HONG KONG

TEL / FAX : +86-13416407902 · EMAIL : INFO@SANTSGROUP.COM

[www.santsgroup.com](http://www.santsgroup.com)

## Transmittance Properties



型号 Type	开始 Start from	结束 End with	除数 Divisor	面积 Area	结果 Result
SIT-001	280	380	100	87794.12	87.794
	380	1100	720	66473.28	92.324
SIT-002	280	380	100	854.386	8.544
	380	1100	720	66623.04	92.532



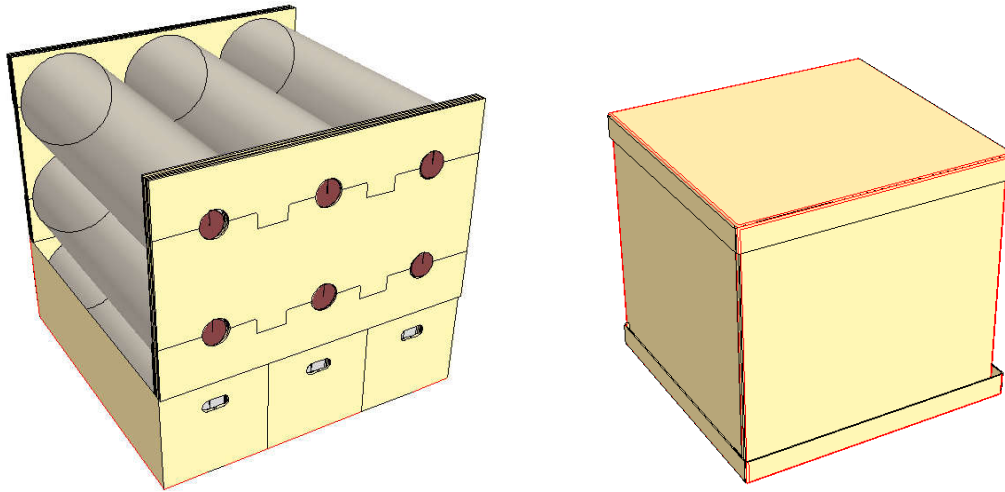
# SANTS INTERNATIONAL TRADING CO.,LTD

603E,6/F, HANG PONT COMMERCIAL BUILDING, 31 TONKIN ST., CHEUNG SHA WAN, KOWLOON, HONG KONG

TEL / FAX : +86-13416407902 - EMAIL : INFO@SANTSGROUP.COM

[www.santsgroup.com](http://www.santsgroup.com)

## ● 包装 Package



▲ 纸管内径 76 毫米, 每卷 150 米, 每卷用 PE 膜密封, 一个纸箱里面放 6 卷/9 卷

Internal diameter of paper tube: 76mm, 150m per roll, total 6rolls or 9rolls into one big carton.

Inside package with PE sealed.

## ● 储存 Storage

必须存放于干燥阴凉的恒温室中

温度0~30℃, 湿度≤60%;

本产品储存期为自生产日期起6个月

Must stored in cool and dry thermostatic chamber

Temperature: 0~30℃, humidity≤60%;